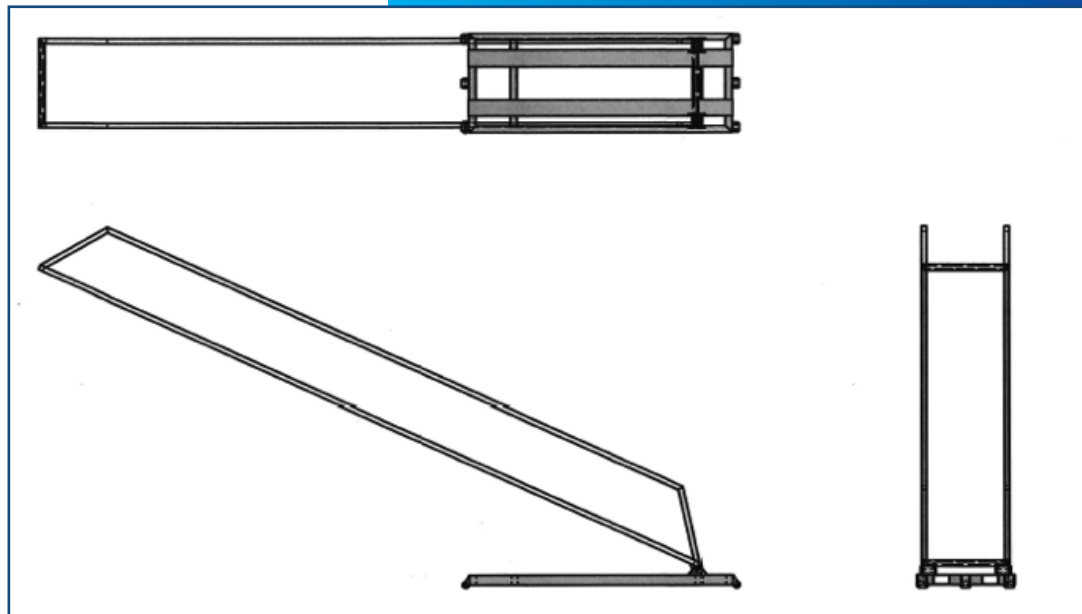




Gangway

Purpose engineered and built gangway for safe personnel transfers from wharf to vessel.

- 13m long and 1.5m wide.
- Forkliftable from the end to easily install on vessels from shore and removed without crane.
- Solid construction.
- Safe handrails.
- Non slip grip floor throughout.
- 1,000kg payload.



BASEMARINE

The supply base you can rely on.

www.basemarine.com.au

P: +61 8 9949 1433
M: 0410 212 669
E: base@basemarine.com.au
Lot 1481 Neale Cove
PO Box 1227, Exmouth, 6707
Western Australia